

Wall-/Ground Anchor

BWA 110



Weather-resistant

With protective cover

14 mm shackle made of hardened special steel

4 wall plug screws included

Easy installation



ORIGINAL INSTALLATION INSTRUCTIONS



facebook.com/BASIGmbH



[@basi_gmbh](https://instagram.com/@basi_gmbh)



www.basi.eu

General notes

Intended use

The BWA 110 wall-/ground anchor provides a reliable and robust solution for securing bicycles, motorcycles and other movable objects.

With its solid design, the anchor is ideal for installation on concrete floors or walls and ensures a strong hold and high level of safety.



Warnings: No hazards are to be expected if the device is used in accordance with the instructions and in a professional manner.

Small parts and packaging materials can be swallowed by children and lead to choking! Make sure that small parts and packaging materials do not get into the hands of children. Dispose of the packaging material immediately.

The manufacturer expressly reserves the right to make technical changes.

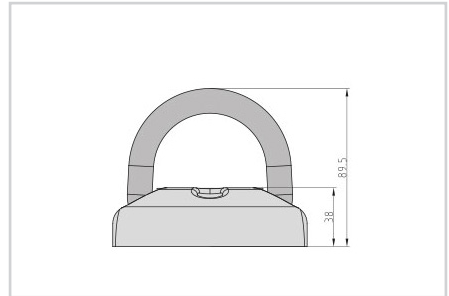
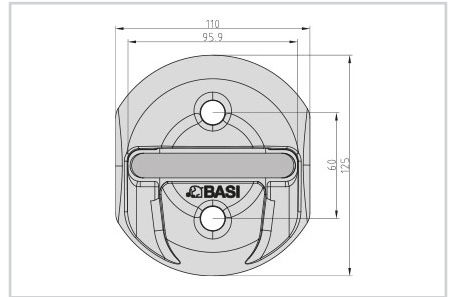
Disclaimer

The manufacturer accepts no liability for damage or injury caused by improper handling.



Disposal

Help protect the environment and dispose of the product and packaging materials in accordance with local regulations. Do not dispose of the device in household waste!



Scope of delivery

Check that the delivery is complete:

- 1x base plate + 14 mm steel shackle (1)
- 1x plastic cover (2)
- per 4 Allen screws (3) + dowels (4)
- 4x balls (5)
- 2x small screws (6)
- 2x plastic caps (7)
- 2x Allen key

Required tools:

- Marker
- Drill Ø 16 mm
- Hammer

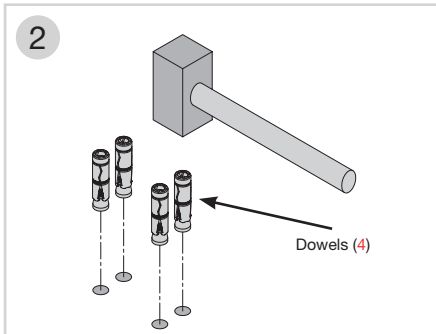


Note: Always hold the drill at a right angle to the floor or wall when drilling to avoid a crooked drill hole. Always wear safety goggles when drilling and installing the BWA 110. In case of rental properties, we recommend agreeing the installation with the landlord in advance.

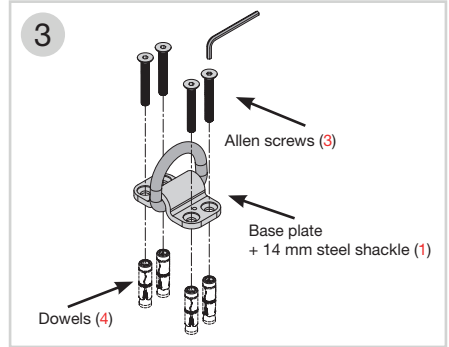
INSTALLATION

Step 1: Ensure that the subsurface is firm and position the BWA 110 at the desired place to determine the optimum location. Once you have determined the ideal position, remove the plastic cover (2) by loosening the two small screws (6) with an Allen key and mark the four drill holes using the base plate (1).

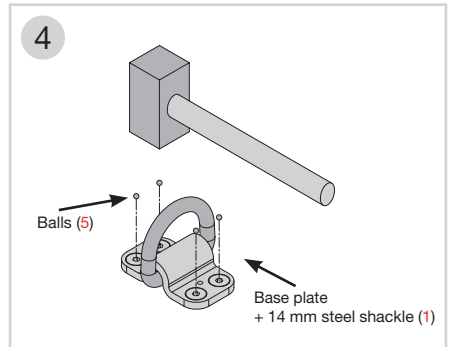
Step 2: The dowels (4) are approx. 55 mm long. Carefully drill through the marked holes with a \varnothing 16 mm drill. The dowels can then be inserted. Carefully tap them in with a hammer until they are flush with the surface. Align the base plate (1) in such a way that it is exactly in line with the drill holes and then fix it with the Allen screws.



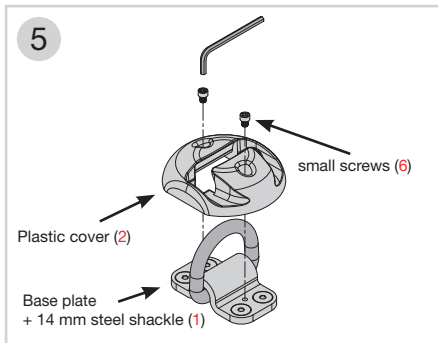
Step 3: Tighten the Allen screws (3) uniformly and firmly until they are fully tightened and cannot be turned any further.



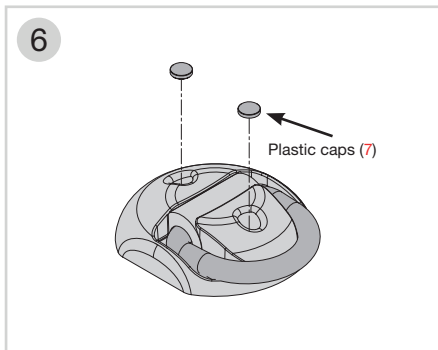
Step 4: Place the balls (5) in the upper area of the hexagonal hole on the top of the screw and carefully tap them in with a hammer. This serves as an anti-theft protection and prevents the BWA 110 from being removed from the floor or wall.



Step 5: Attach the plastic cover (2) to the base plate with the 14 mm steel shackle (1) and insert the two small screws (6) into the upper screw holes.



Step 6: Close the screw holes with the attached plastic caps (7) and press them firmly.



© Copyright

Reproduction or duplication
(even excerpts thereof) is forbidden
without the consent of:
BASI GmbH
Konstantinstraße 387
41238 Mönchengladbach
Germany

2024

This publication, including all its parts,
is protected by copyright.

Any use outside the strict limits of
copyright without the consent of BASI
GmbH is not permitted and punishable.

This applies in particular to duplications,
translations, microfilming and importing
and processing in electronic systems.

BASI GmbH
Konstantinstraße 387
41238 Mönchengladbach
Germany